

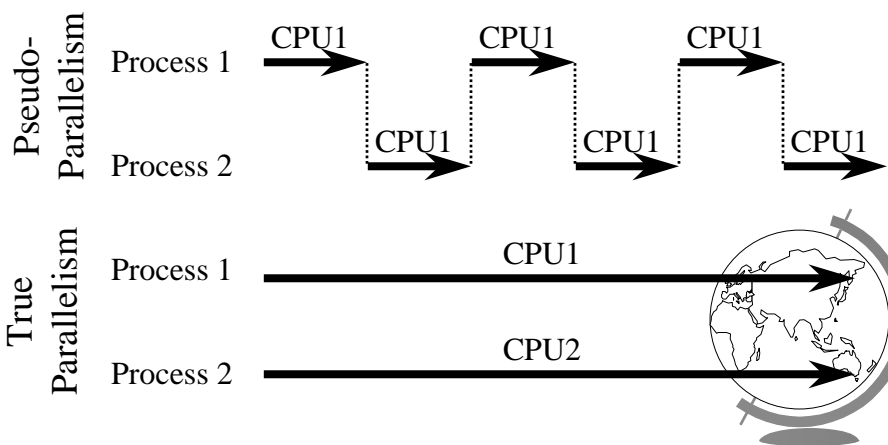


Operating Systems

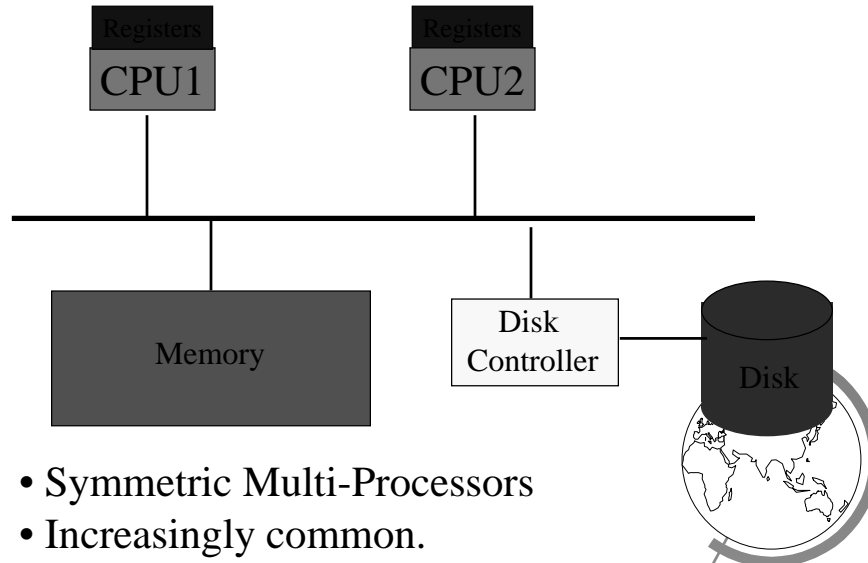
Parallel Systems
(Now basic OS knowledge)

Parallelism

- Multiple processes concurrently



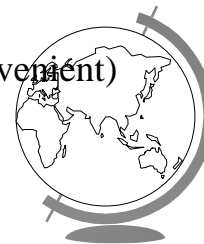
Parallel Hardware



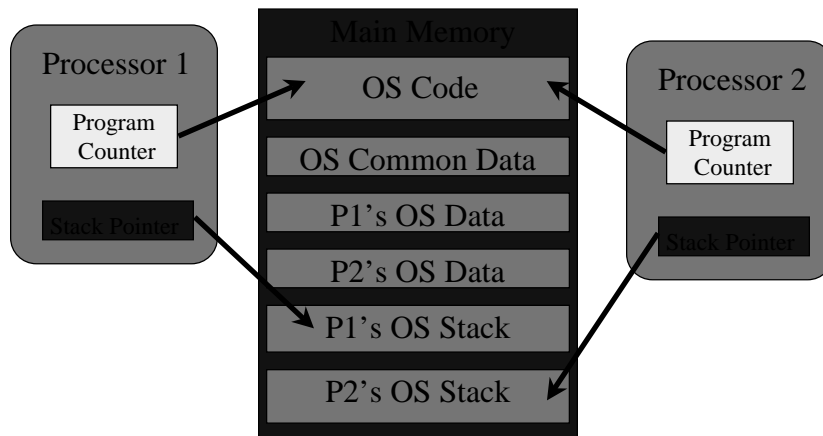
- Symmetric Multi-Processors
- Increasingly common.
- How to modify OS to handle new hardware?

Two Operating Systems

- Divide memory in two
- Run an independent OS in each
- Each has it's own processes
- Drawbacks
 - Twice as much memory used for OS
 - IPC tough
 - Who controls memory and disk? (convenient)
 - Inefficient scheduling (efficient)



Sharing the Operating System



Shared?

stack

current process

process table

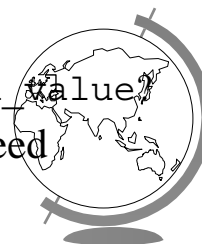
device queues

Race

Conditions!

SOS: Multi-Processor Support

- In `StartUsingProcessTable()`
 - What is the `exchangeWord` mechanism similar too?
 - We busy wait. Is this ok? Why or why not?
- In `FinishUsingProcessTable()`
 - We don't protect setting the Flag. Is this ok? Why or why not?
- In `SelectProcessTable()`
 - Why do we have the variable `return value`?
- What other parts of the OS would need protection?



Example Multiprocessor OSes

- Almost all new OSes!
- Designed from start
 - Windows NT/2000
 - Mach
- Unix
 - AT&T System V
 - Sun Solaris
 - HP Unix
 - OSF Unix
 - IBM AIX
 - SGI Irix
 - Linux

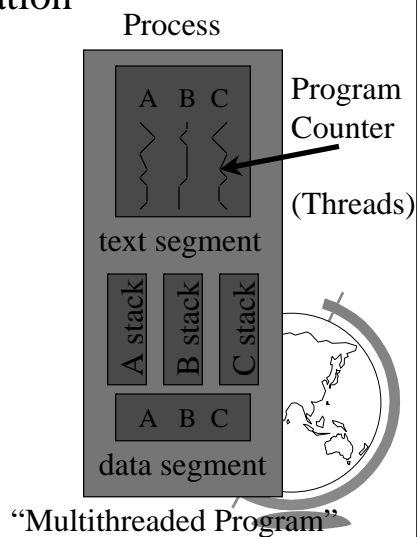


Threads

Software Multi-Processors

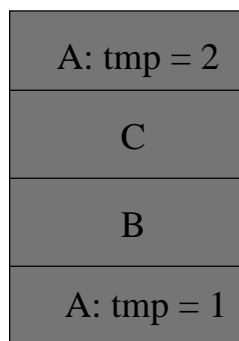
Threads (Lightweight Processes)

- Basic unit of CPU utilization
 - (“What?!” you say)
- Own
 - program counter
 - register set
 - stack space
- Shares
 - code section
 - data section
 - OS resources

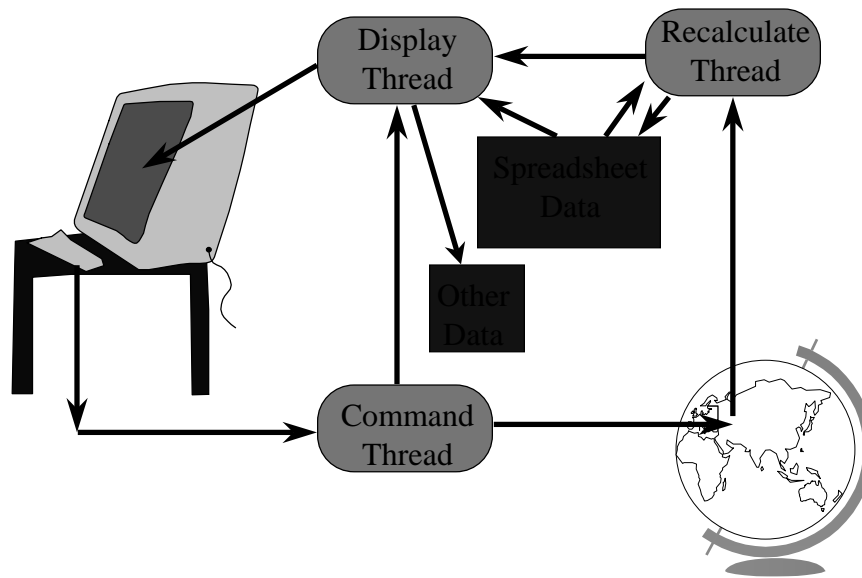


Stack

```
A(int tmp) {  
    B();  
  
    printf(tmp  
    ;  
}  
B() {  
    C();  
}  
C() {  
    A(2);  
}
```



Example: A Threaded Spreadsheet



What Kinds of Programs to Thread?

- Independent tasks
 - ex: debugger needs GUI, program, perf monitor...
 - especially when blocking for I/O!
- Single program, concurrent operation
 - Servers
 - + ex: file server, Web server
 - OS kernels
 - + concurrent system requests by multiple users



Thread Benefits

- “What about just using multiple processes with shared memory?”
 - fine
 - debugging tougher (more thread tools)
 - processes slower
 - + 30 times slower to create on Solaris
 - + slower to destroy
 - + slower to context switch among
 - processes eat up memory
 - + few thousand processes not ok
 - + few thousand threads ok



Threads Standards

- POSIX (Pthreads)
 - Common API
 - Almost **all** Unix's have thread library
- Win32 and OS/2
 - very different from POSIX, tough to port
 - commercial POSIX libraries for Win32
 - OS/2 has POSIX option
- Solaris
 - started before POSIX standard
 - likely to be same as POSIX

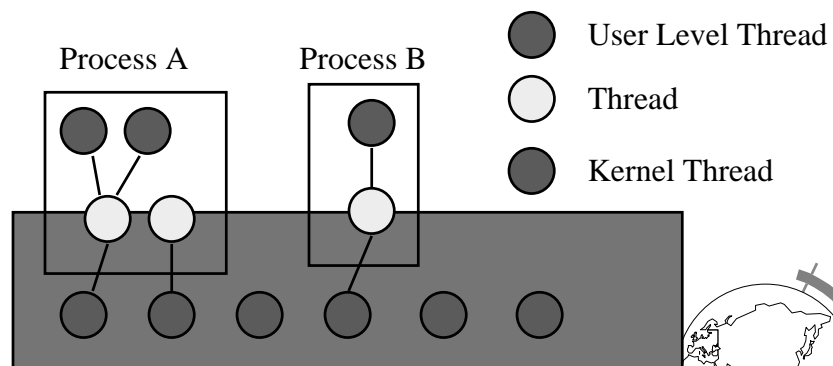


SOS: Thread Implementation

- Why doesn't the Process have a state anymore?
 - Does a process have to have threads?
- What new system calls might be useful for support of threads?
- What new scheduling criteria might the Dispatcher use when scheduling threads?



Levels of Threads



Do they Work?

- Operating systems
 - Mach, Windows NT, Windows 95, Solaris, IRIX, AIX, OS/2, OSF/1
 - Millions of (unforgiving) users
- NFS, SPEC

