

# Computer Graphics (CS 543)

## Lecture 6c: Derivation of Orthographic Projection

Prof Emmanuel Agu

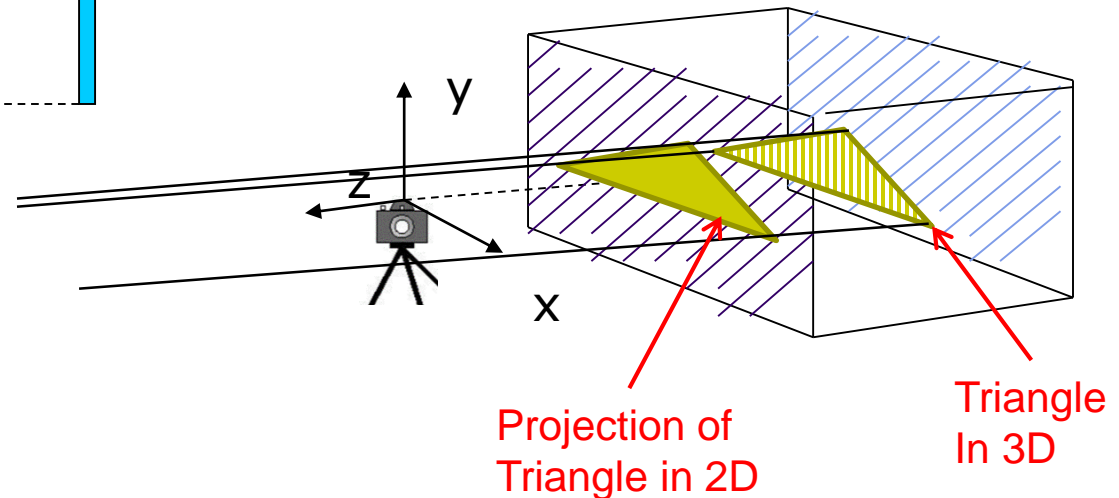
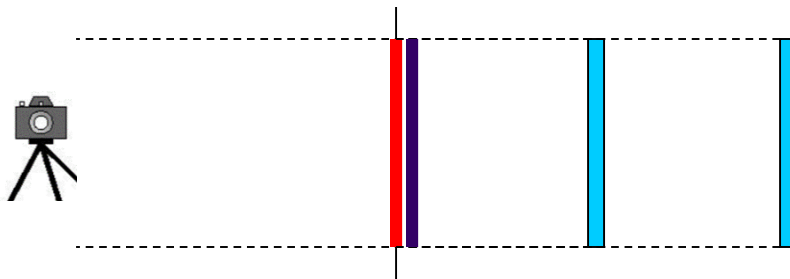
*Computer Science Dept.  
Worcester Polytechnic Institute (WPI)*





# Orthographic Projection

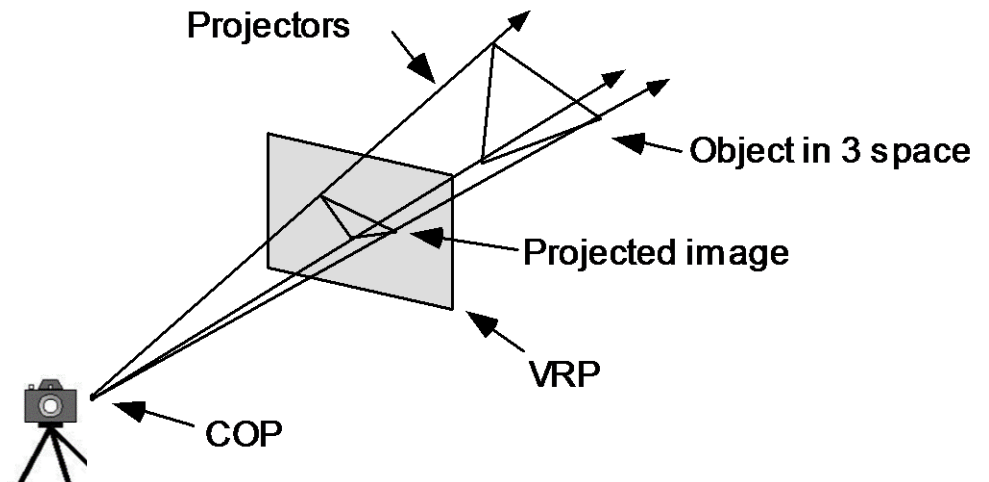
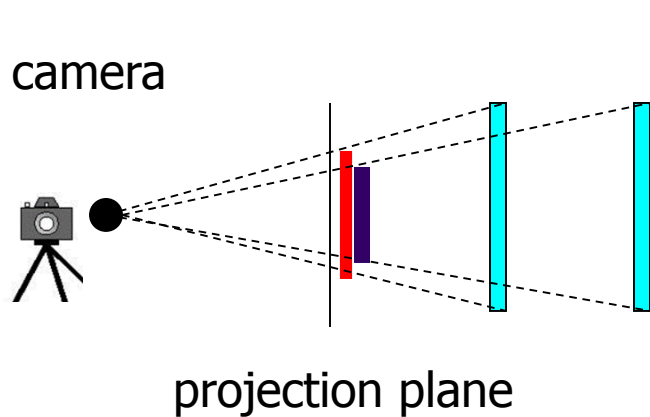
- How? Draw parallel lines from each object vertex
- The projection center is at infinite
- In short, use  $(x,y)$  coordinates, just drop  $z$  coordinates





# Perspective Projection

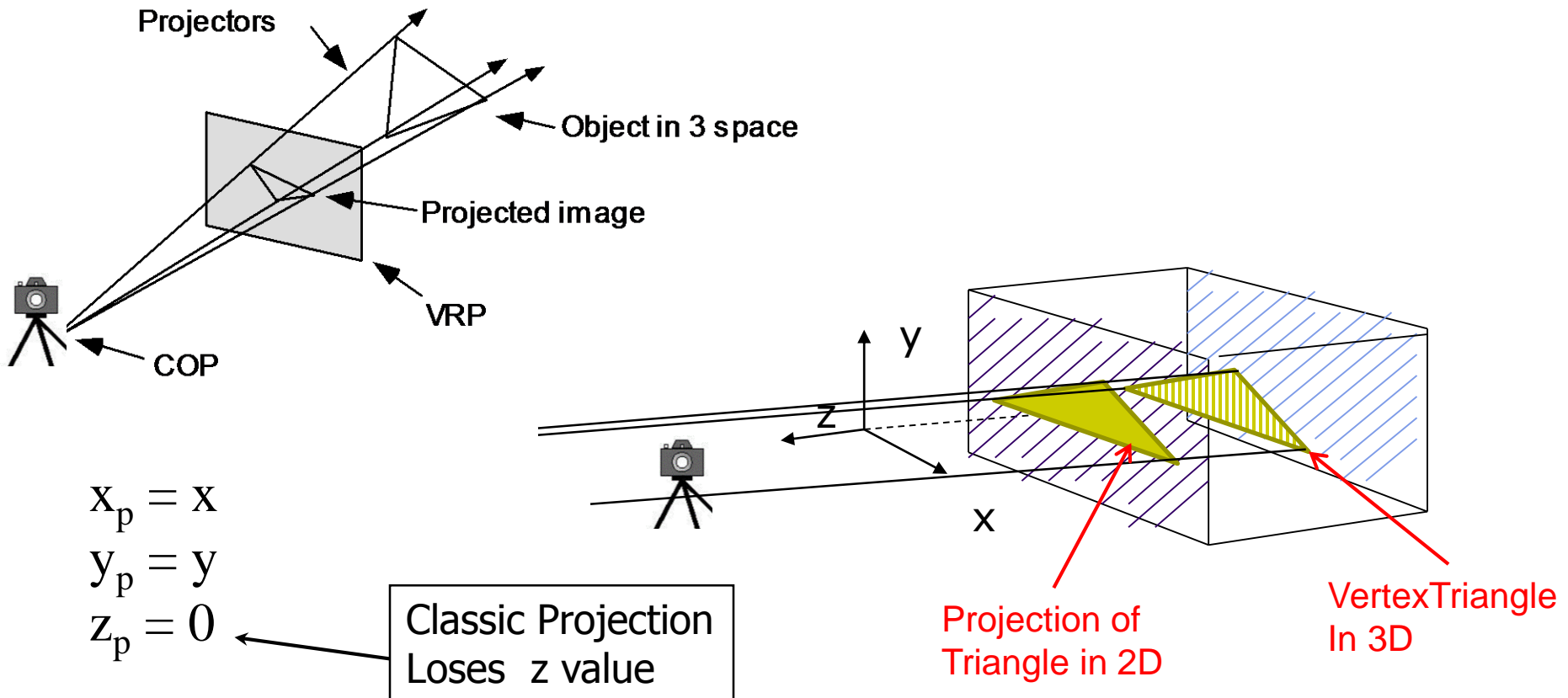
- After setting view volume, then projection transformation
- Projection?
  - **Classic:** Converts 3D object to corresponding 2D on screen
  - How? Draw line from object to projection center
  - Calculate where each intersects projection plane





# The Problem with Classic Projection

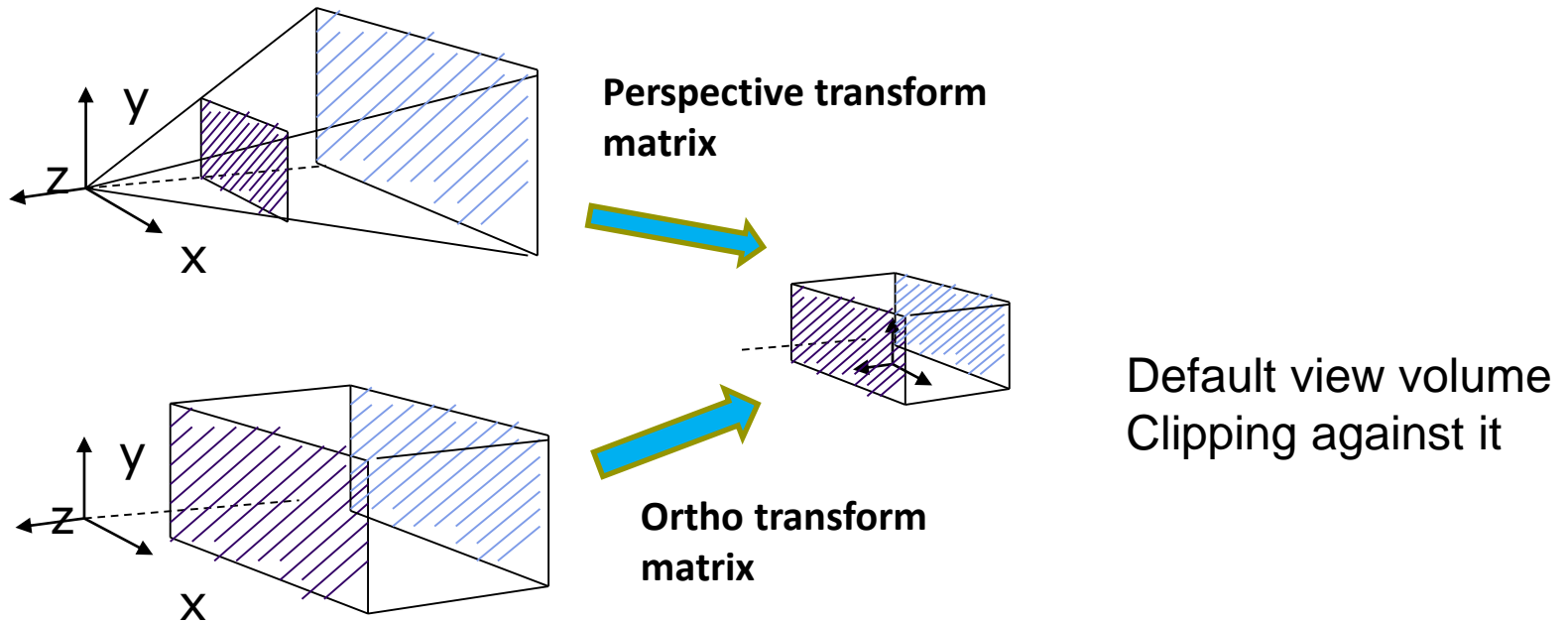
- Keeps (x,y) coordinates for drawing, drops z
- We may need z. Why?





# Normalization: Keeps z Value

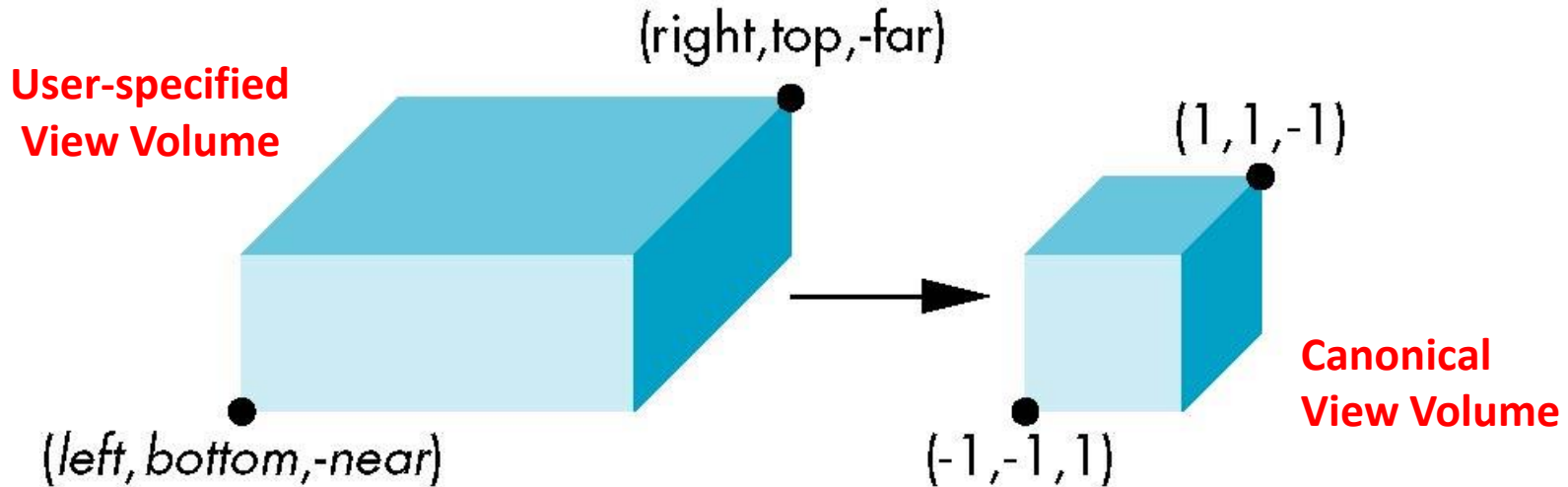
- Most graphics systems use *view normalization*
- **Normalization:** convert all other projection types to orthogonal projections with the *default view volume*





# Parallel Projection

- **normalization**  $\Rightarrow$  find 4x4 matrix to transform **user-specified view volume** to **canonical view volume (cube)**

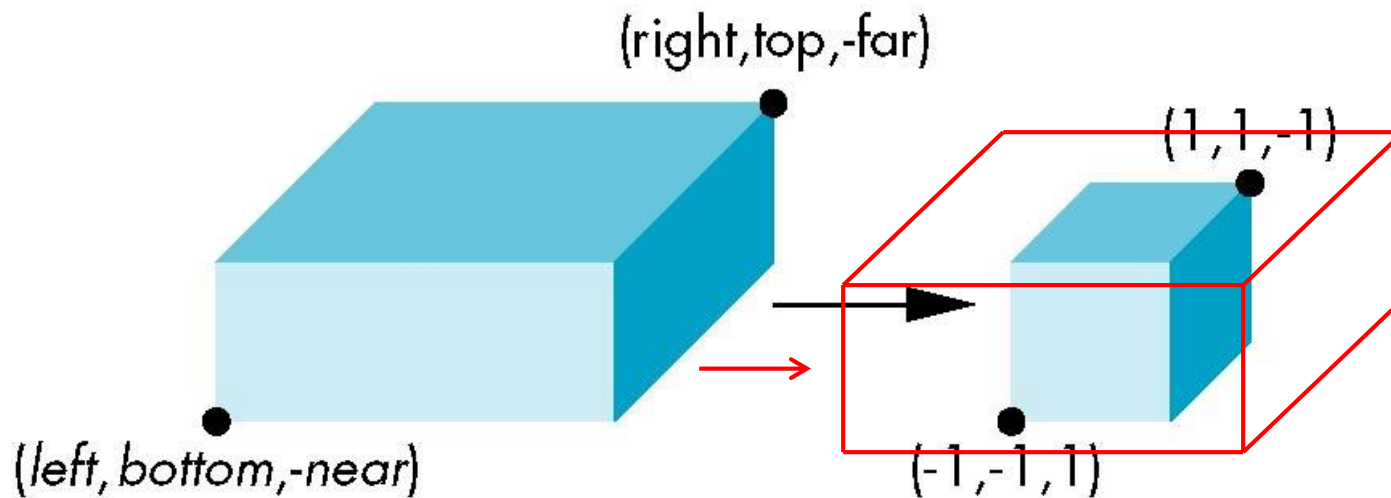


**glOrtho**(left, right, bottom, top, near, far)



# Parallel Projection: Ortho

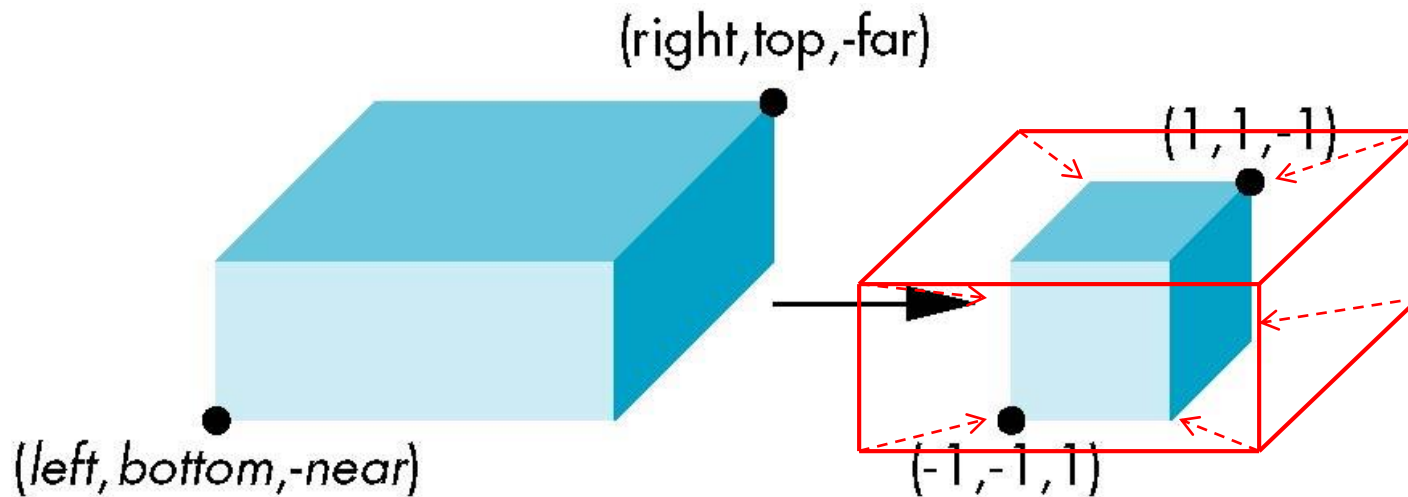
- Parallel projection: 2 parts
  1. **Translation:** centers view volume at origin





# Parallel Projection: Ortho

2. **Scaling:** reduces user-selected cuboid to canonical cube (dimension 2, centered at origin)



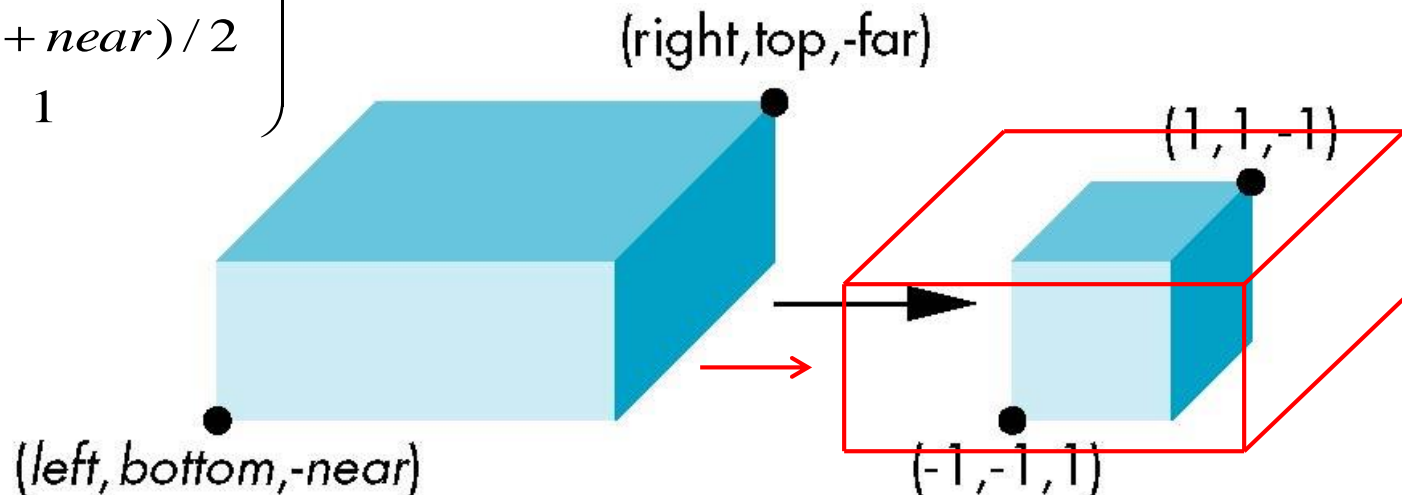




# Parallel Projection: Ortho

- Translation lines up midpoints: E.g. midpoint of  $x = (\text{right} + \text{left})/2$
- Thus translation factors:  
 $-(\text{right} + \text{left})/2, \quad -(\text{top} + \text{bottom})/2, \quad -(\text{far} + \text{near})/2$
- Translation matrix:

$$\begin{pmatrix} 1 & 0 & 0 & -(\text{right} + \text{left})/2 \\ 0 & 1 & 0 & -(\text{top} + \text{bottom})/2 \\ 0 & 0 & 1 & -(\text{far} + \text{near})/2 \\ 0 & 0 & 0 & 1 \end{pmatrix}$$

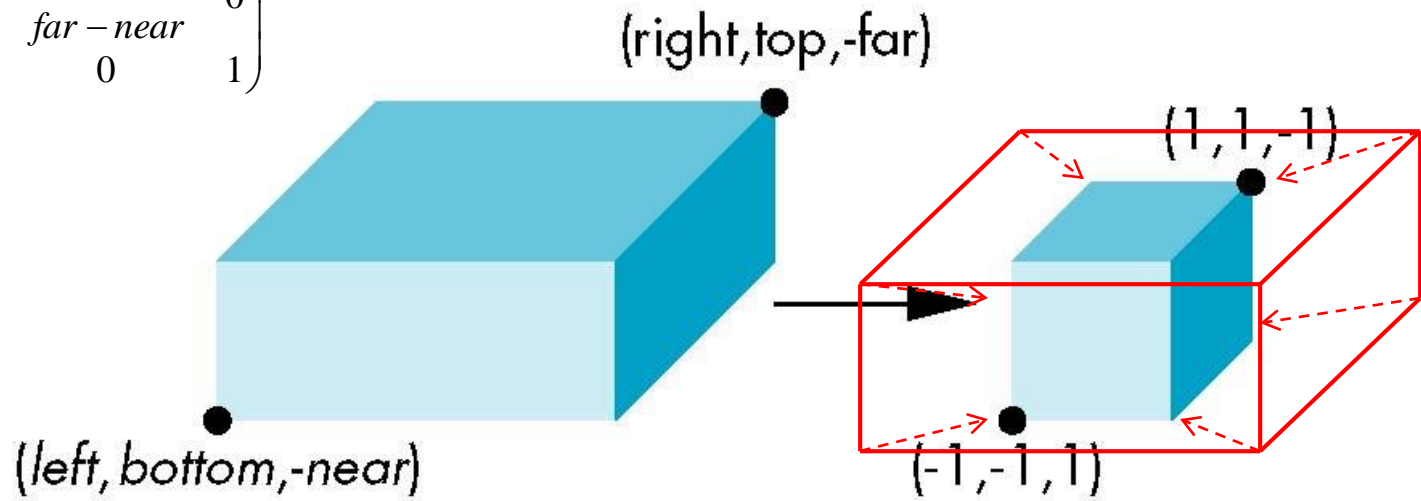




# Parallel Projection: Ortho

- Scaling factor: ratio of ortho view volume to cube dimensions
- Scaling factors:  $2/(right - left)$ ,  $2/(top - bottom)$ ,  $2/(far - near)$
- Scaling Matrix M2:

$$\begin{pmatrix} \frac{2}{right - left} & 0 & 0 & 0 \\ 0 & \frac{2}{top - bottom} & 0 & 0 \\ 0 & 0 & \frac{2}{far - near} & 0 \\ 0 & 0 & 0 & 1 \end{pmatrix}$$





# Parallel Projection: Ortho

Concatenating **Translation** x **Scaling**, we get Ortho Projection matrix

$$\begin{pmatrix} \frac{2}{right - left} & 0 & 0 & 0 \\ 0 & \frac{2}{top - bottom} & 0 & 0 \\ 0 & 0 & \frac{2}{far - near} & 0 \\ 0 & 0 & 0 & 1 \end{pmatrix} \times \begin{pmatrix} 1 & 0 & 0 & -(right + left) / 2 \\ 0 & 1 & 0 & -(top + bottom) / 2 \\ 0 & 0 & 1 & -(far + near) / 2 \\ 0 & 0 & 0 & 1 \end{pmatrix}$$

$$\mathbf{P} = \mathbf{ST} = \begin{bmatrix} \frac{2}{right - left} & 0 & 0 & -\frac{right - left}{right - left} \\ 0 & \frac{2}{top - bottom} & 0 & -\frac{top + bottom}{top - bottom} \\ 0 & 0 & \frac{2}{near - far} & \frac{far + near}{far - near} \\ 0 & 0 & 0 & 1 \end{bmatrix}$$



# Final Ortho Projection

- Set  $z = 0$
- Equivalent to the homogeneous coordinate transformation

$$\mathbf{M}_{\text{orth}} = \begin{bmatrix} 1 & 0 & 0 & 0 \\ 0 & 1 & 0 & 0 \\ 0 & 0 & 0 & 0 \\ 0 & 0 & 0 & 1 \end{bmatrix}$$

- Hence, general orthogonal projection in 4D is  $\mathbf{P} = \mathbf{M}_{\text{orth}} \mathbf{S} \mathbf{T}$



# References

- Interactive Computer Graphics (6<sup>th</sup> edition), Angel and Shreiner
- Computer Graphics using OpenGL (3<sup>rd</sup> edition), Hill and Kelley